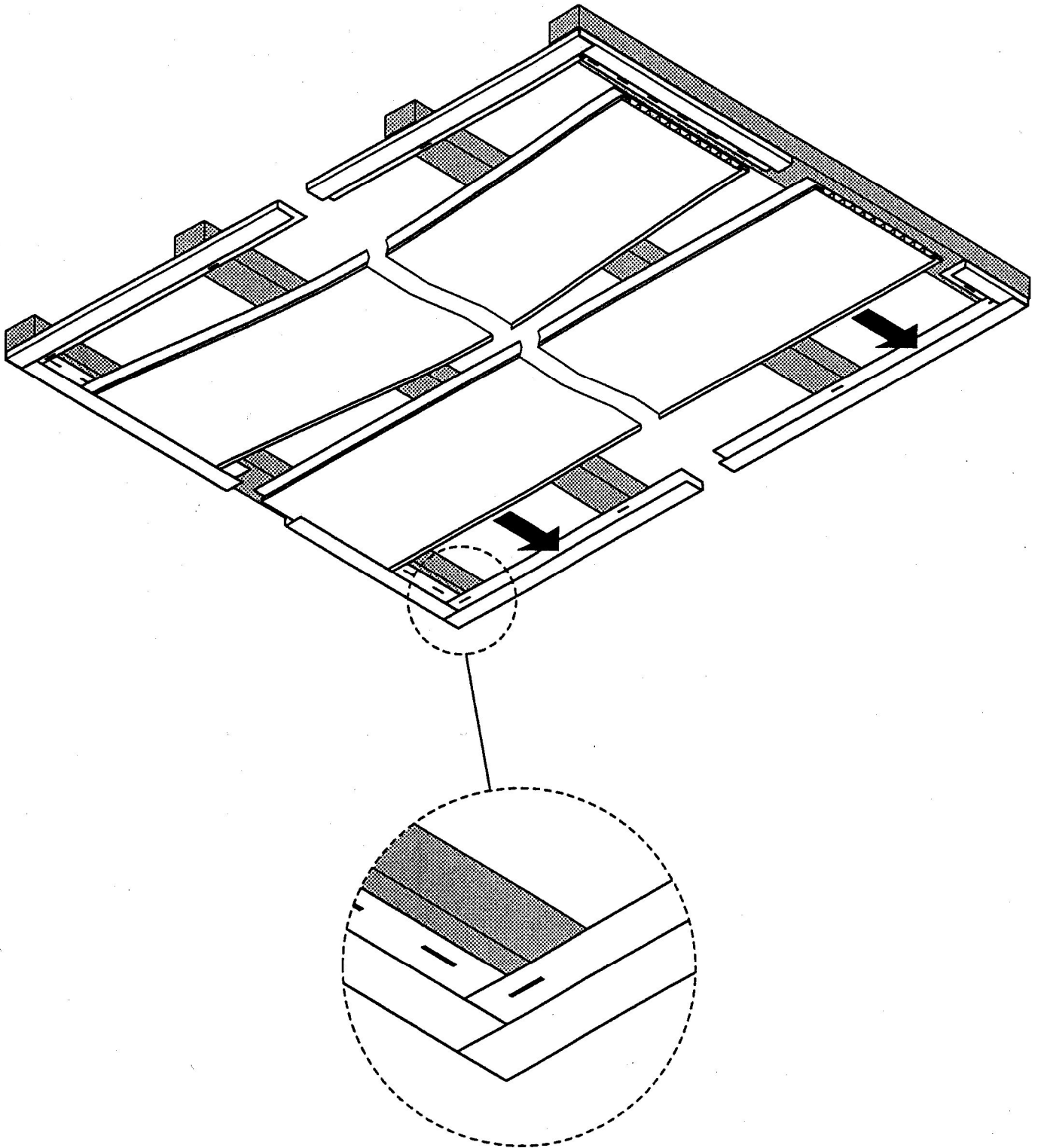


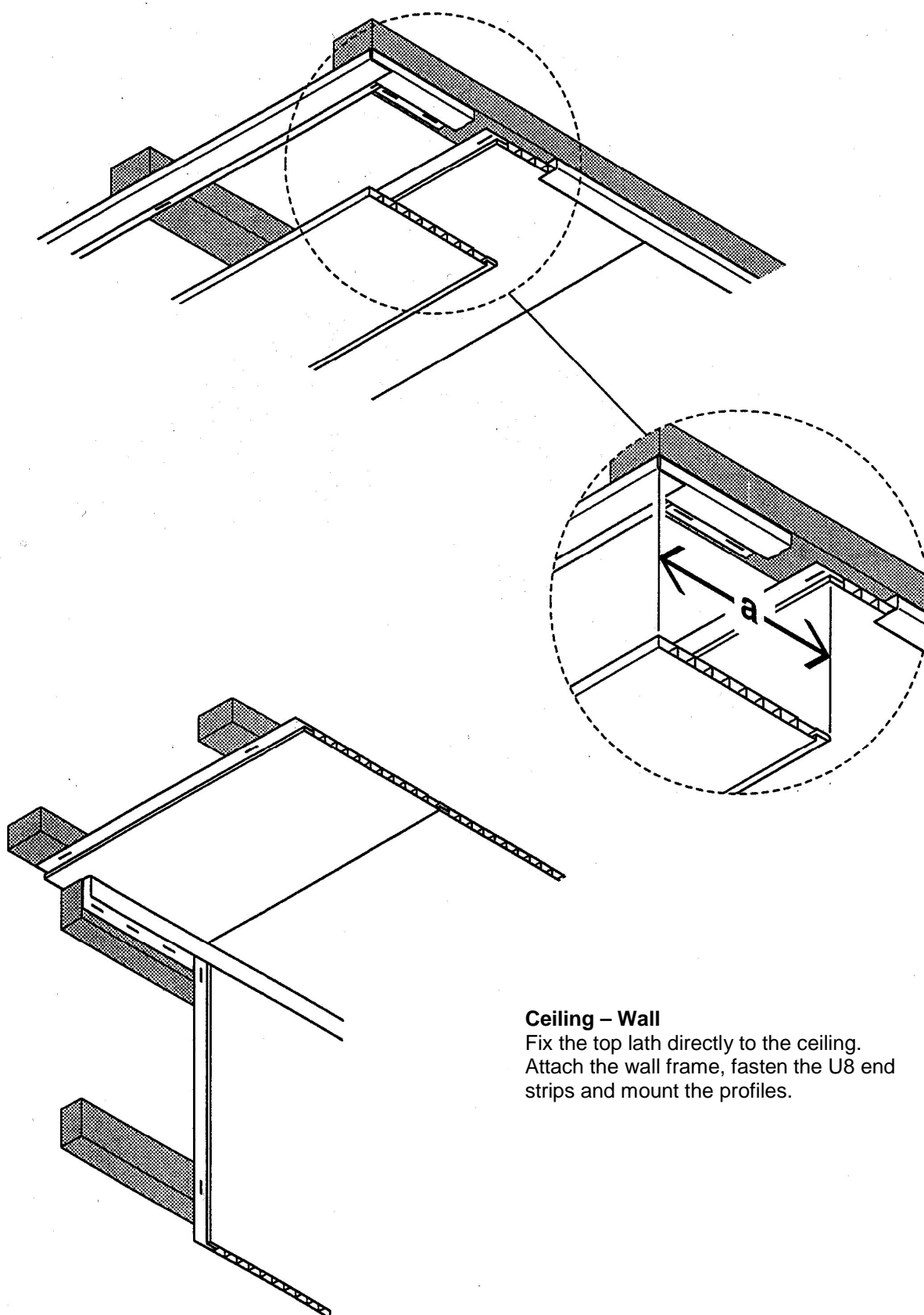
Ceiling

Attach frame made of wood or plastic laths (z.B. 48 x 24 mm) at a distance of about 30 - 40 cm. Clamp or nail on the U8 end strips in the corners following their contours. Insert the profile into one side of the strip, bend slightly, run in and clamp.



Last Profile

Use a fine-toothed saw to cut the last profile to the required width „a“. Then insert in the end strip and push back against the second to the last profile.

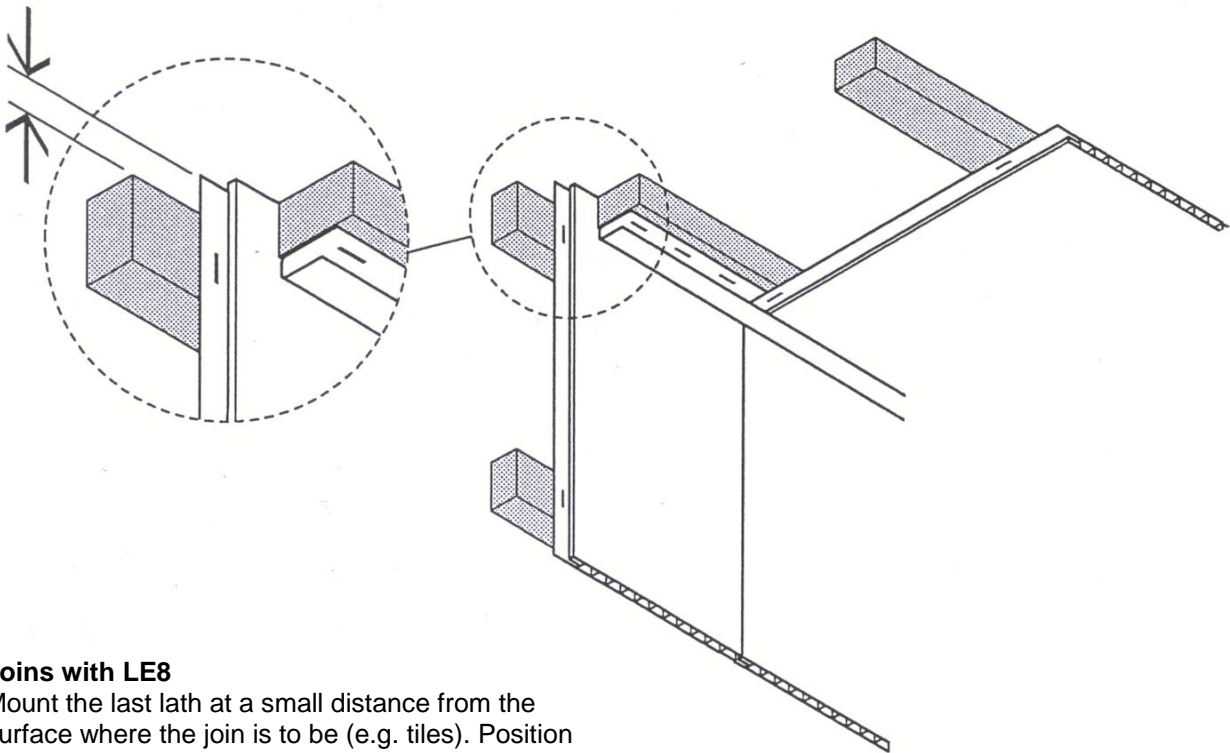


Ceiling – Wall

Fix the top lath directly to the ceiling.
Attach the wall frame, fasten the U8 end strips and mount the profiles.

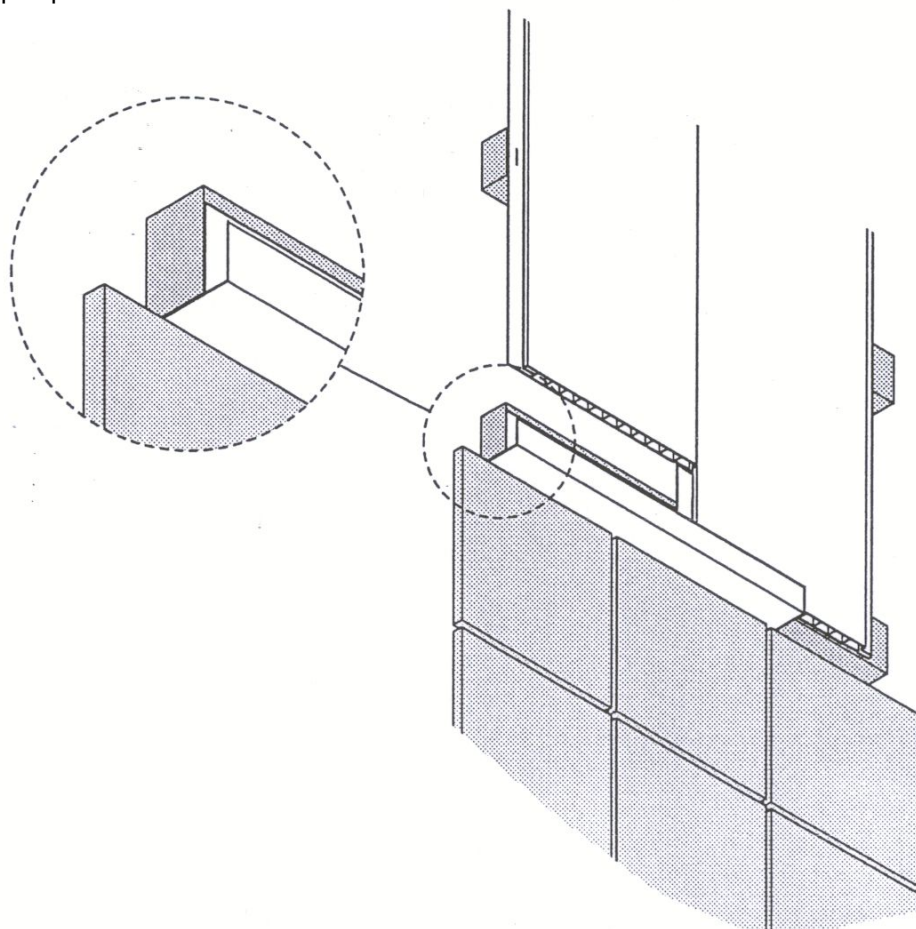
Wall – Ceiling

Fasten on the wall's top lath at a distance of around 2 cm. Attach frame and mount wall profiles. After that, fix the ceiling's first lath so that it directly adjoins the wall and fasten the frame. Clamp U8 end strips and mount profiles.



Joins with LE8

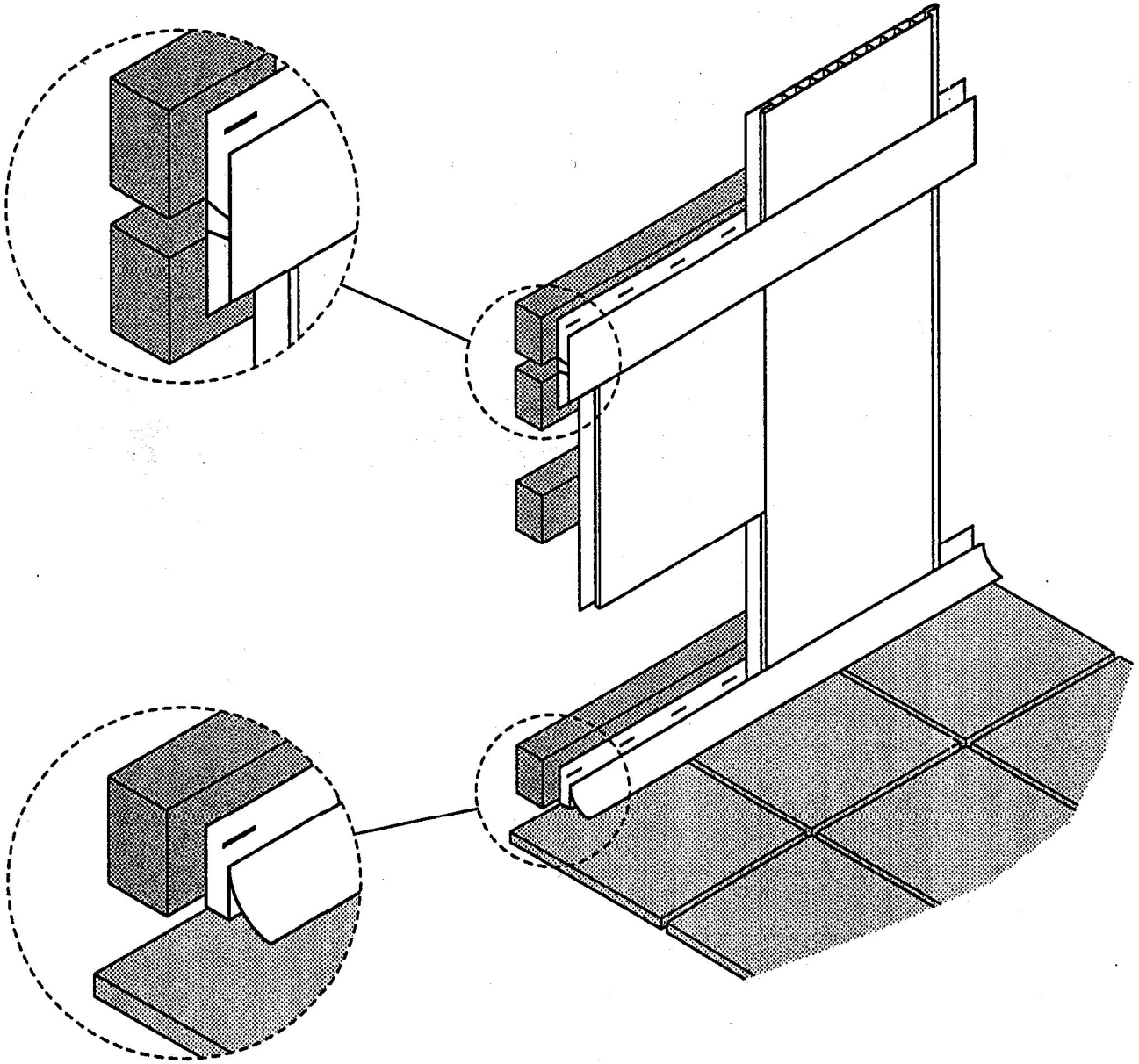
Mount the last lath at a small distance from the surface where the join is to be (e.g. tiles). Position the end angle strip in place and fasten.



Extending and Closing-off

Extending with Joining Strip ST8:

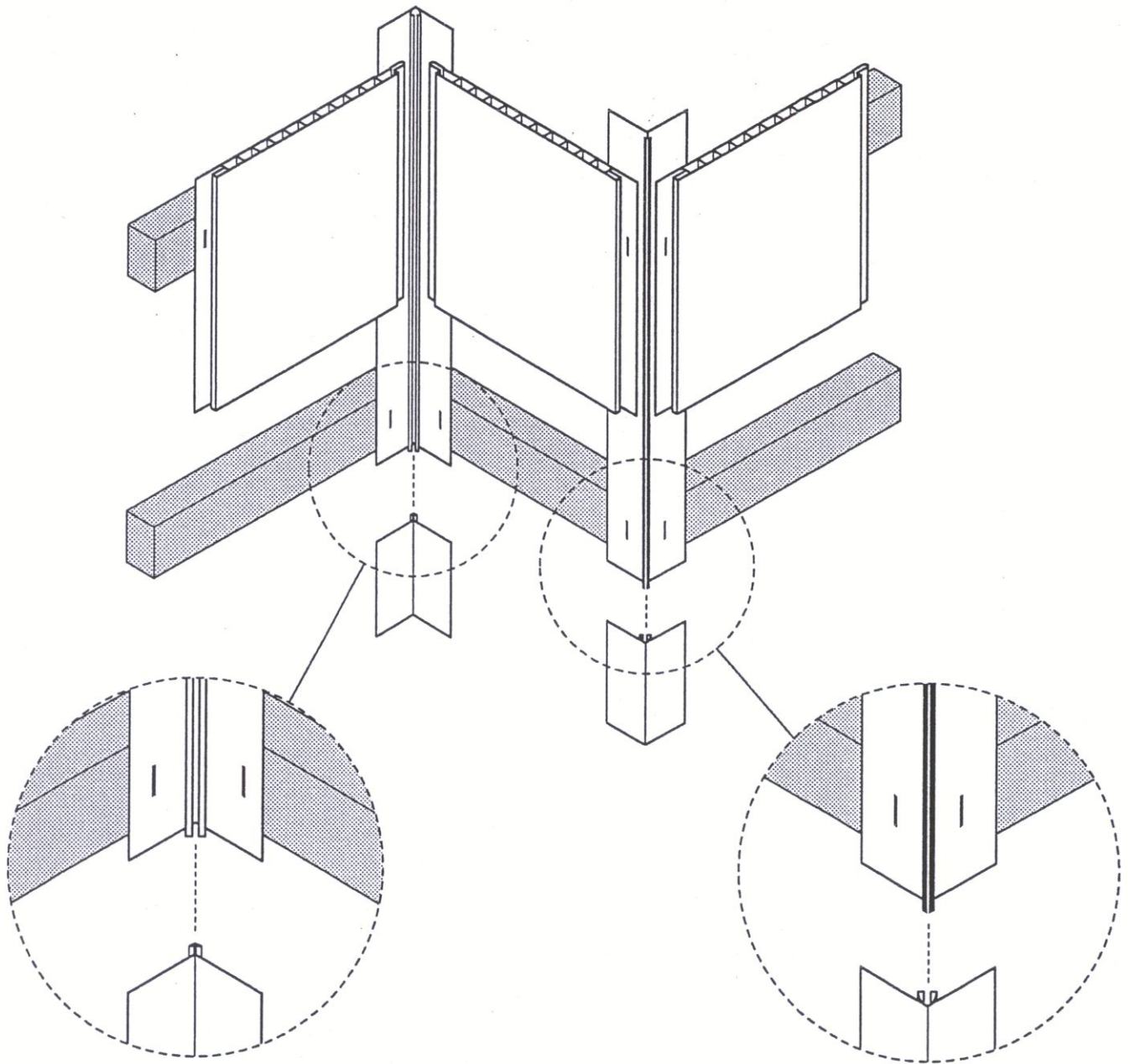
Attach double laths at the end of the profile. Fasten joining strip and mount profiles.



Closing off with RU8-10:

Attach lath at a small distance from the floor. Place closing-off strip in position and fasten. Mount profiles.

Inside and Outside Corners with E8 in two parts



Inside corner:

Fix the top of the angle clamp in the corner and fasten.
Mount profiles and press on bottom part.

Outside corner:

Fix the bottom of the angle clamp to the corner and fasten.
Mount profiles and press on top part.

Inside round corner

Fix the round corner strip in the corner and fasten. When working towards the corner, but the last profile to the required width „a“, insert it into the corner strip and push back against the second to last profile.

